

# AL530

ARTICULATED LOADER



## KEY FEATURES

- 4-Post Open Canopy ROPS and FOPS Certified
- Front Auxillary Hydraulics w/ Flat-Faced Couplers
- Inching Pedal
- Digital Display with Audible and Visual Indicators
- Automotive Style Hydrostatic Drive, 2-Speed
- Perkins Turbo Charged Diesel Engine
- Deluxe, Tilttable Steering Column
- Multi-Function Joystick



# AL530 ARTICULATED LOADER

## SPECIFICATIONS

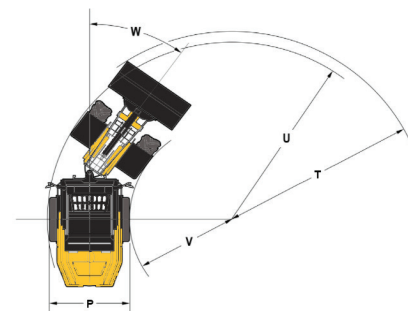
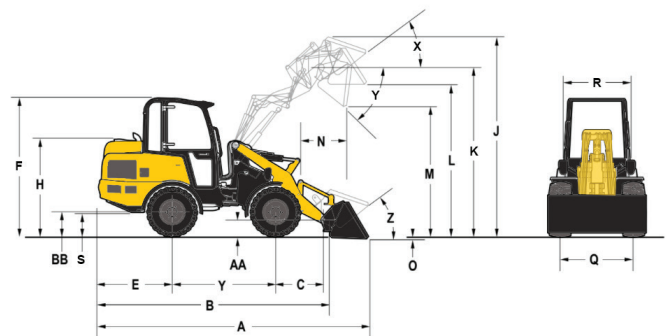
		IMPERIAL	METRIC	
DIMENSIONS	A	Overall Length w/ Bucket Level	176.8" 4490 mm	
	B	Overall Length - Less Bucket	149.3" 3792 mm	
	C	Front Wheel Center to Hinge Pin - Arm Down	28.9" 733 mm	
	D	Wheel Base	69.7" 1770 mm	
	E	Rear Overhang	45.1" 1146 mm	
	F	Overall Height @ ROPS	90.2" 2290 mm	
	H	Height to Top of Hood	57.8" 1469 mm	
	J	Overall Operating Height - Fully Raised, Bucket Rolled Back	152.4" 3870 mm	
	K	Height to Hinge Pin - Fully Raised	120.9" 3070 mm	
	L	Ground Plane to Bucket Edge Height	111.7" 2837 mm	
	M	Dump Height - Fully Raised	90.6" 2301 mm	
	N	Dump Reach - Fully Raised	18.1" 458 mm	
	O	Digging Position (+Above Ground / -Below Ground)	-2.8" -72 mm	
	P	Overall Width - Less Bucket	52.4" 1330 mm	
	Q	Track or Tread Width (Wheel Center)	37.2" 946 mm	
	R	Widest Fixed Point on Machine (ROPS width)	39.1" 991 mm	
	S	Ground Clearance	14.1" 356 mm	
	T	Clearance Radius - Front w/ Bucket @ Carry Position	132.3" 3361 mm	
	U	Clearance Radius - Less Bucket	113.7" 2888 mm	
	V	Clearance Radius - Inner	63.7" 1617 mm	
	W	Max Articulation Angle	45°	
	X	Maximum Rollback Angle - Fully Raised	46°	
	Y	Dump Angle - Fully Raised	47°	
	Z	Maximum Rollback Angle @ Ground	50°	
	AA	Quick-Attach Hing Pin Ground Clearance (Pin Center)	6.6" 168 mm	
	BB	Height from Ground to Axle Center	9.1" 230 mm	
CC	Bucket Width	59.8" 1520 mm		
	Maximum Oscillation Angle	10°		
CAPACITIES	Static Tipping Load with Bucket Straight	4145 lbs	1880 kg	
	Static Tipping Load with Bucket Full Turn	3638 lbs	1650 kg	
	Static Tipping Load with Forks Straight	3241 lbs	1470 kg	
	Static Tipping Load with Forks Full Turn	2855 lbs	1295 kg	
	Bucket Breakout	5514 lbs	2501 kg	
	Unladen Weight With 4-Post Canopy	5904 lbs	2678 kg	
ENGINE	Engine Manufacturer	Perkins		
	Model / Number of Cylinders	403J-E17T / 3		
	Power @ 2800 rpm	48 hp	36 kW	
	Maximum Torque / Engine Rotation @ 1600 rpm	89.6 ft/lbs	166 Nm	
HYDRAULICS	Work Hydraulic System Flow	15.9 gpm	60 lpm	
	Drive Hydraulic System Pressure	3002 psi	207 bar	
OTHER	Travel Speeds	12.4 / 17.5 mph	20 / 28 km/hr	
	Fuel Tank Capacity	13.2 gal	50 L	
	Tires	US 33 x 15.5 - 16.5 EU 15.0 x 55 - 17		

## STANDARD FEATURES

- Automotive Style Hydrostatic Drive, 2-Speed, 12.4mph (20 km/hr)
- Counterweight
- Front/Rear Tie Downs
- Heavy-Duty Axles
- Steering/Frame Transport Lock
- Deluxe Instrument Panel
- Battery Disconnect
- Perkins Turbo Charged Diesel Engine
- Lockable Engine Cover
- Radiator/Hydraulic Cooler - Side By Side
- Front Auxillary Hydraulics w/ Flat-Faced Couplers
- Adjustable Seat - 5-Way
- Adjustable Seat Belt 2 in. (50 mm)
- Braking/Inching Pedal
- Deluxe, Tilttable Steering Column
- Horn
- Multi-Function Joystick

## OPTIONAL FEATURES

- Cabin with Heat and/or Air Conditioning
- Differential Locking
- 30 km/hr max. speed
- Air suspension seat
- LED Work Lights
- LED Road Lights
- Different wheel options
- Side gates



GEHL COMPACT EQUIPMENT

West Bend, WI 53095 U.S.A. | Tel: 262-334-9461 | Fax: 262-338-7517

GEHL Company reminds users to read and understand the operator's manual before operating any equipment. Also, make sure all safety devices and shields are in place and functioning properly.

GEHL reserves the right to add improvements or make changes in specifications at any time without notice or obligation.